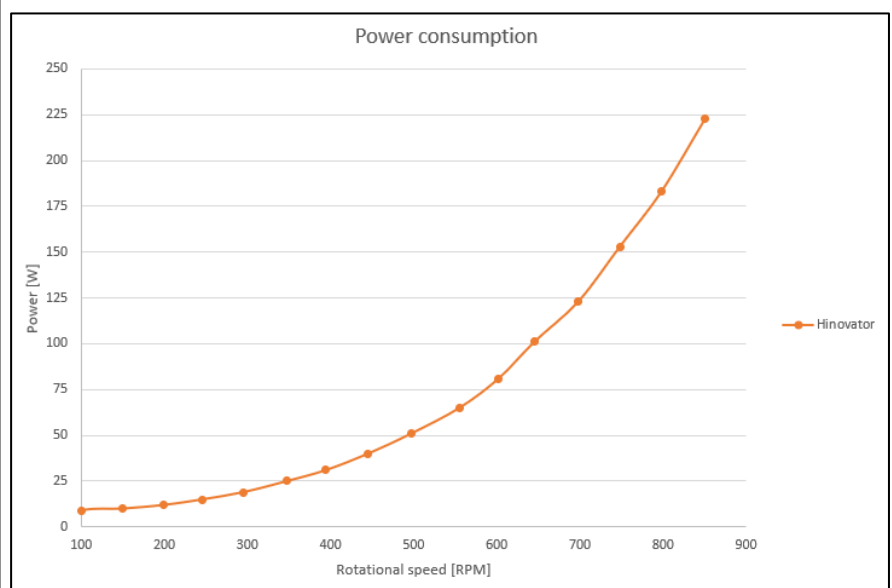
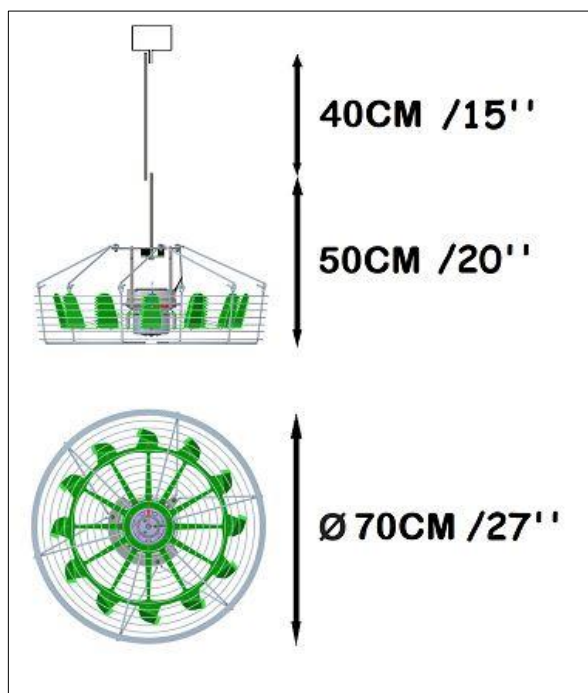
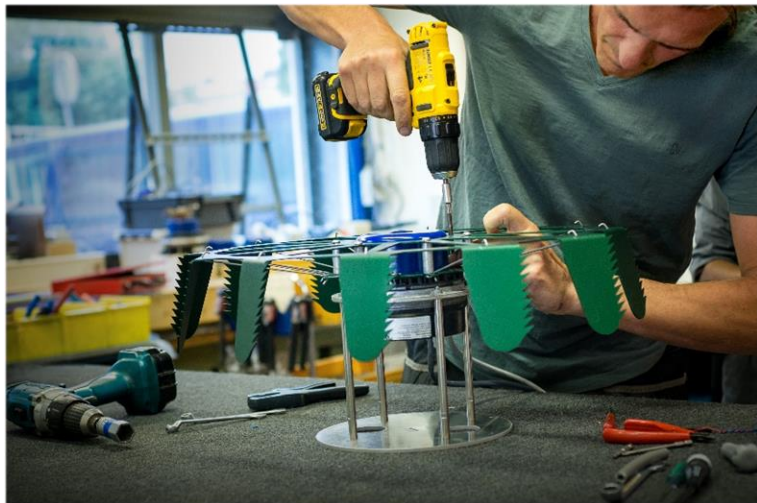


Specifications

Description	HINOVATOR-EC-EU-CA-V-B
Line voltage	1 ~ 200...277 V, 50/60Hz P1 280W 1,4-1,0A
Rated values	EC 850rpm 40°C IP54 THCL 155
Power connection out	Incl. power cable 1,5m
Electrical connection	Integrated Controller
Adjustable control	0-10 volt (0-700RPM)
Motor protection	Integrated active temperature management
Min. operating temperature °C	-35
Quality of bearing	Ball bearing with long-time lubrication
Color of rotor	Marine blue
Material rotor	Steel
Quality of blade	Vanes equipped with whisper-quiet technology
Color of blade	Green
Material blade	Aluminum
Material of construction	Stainless steel / Aluminum
Material of mounting strip	Galvanized steel
Material of bracket	Galvanized steel
Protection	Incl. basket
Suspension system	Mounting strip and truss bracket
Control area	Each vertical fan has a control area of approx. 256 m ² /2700 ft ²
0-10 Volt output	Voltage supply for external devices 10 V, I _{max} 50mA (short circuit proof)
Weight	6,2 KG / 13.6 lb





RIGHTS Copyright © Hinova, Bleiswijk 2016. All rights reserved.
Names marked with a ® are registered trademarks of Hinova.

These terms of delivery can be viewed on our website www.hinova.nl and we will send you a free copy on request. In addition, supplementary contractual and/or general terms by your Hinova partner or installer may apply. In case of contradictions, the terms of the dealer/installer shall prevail.